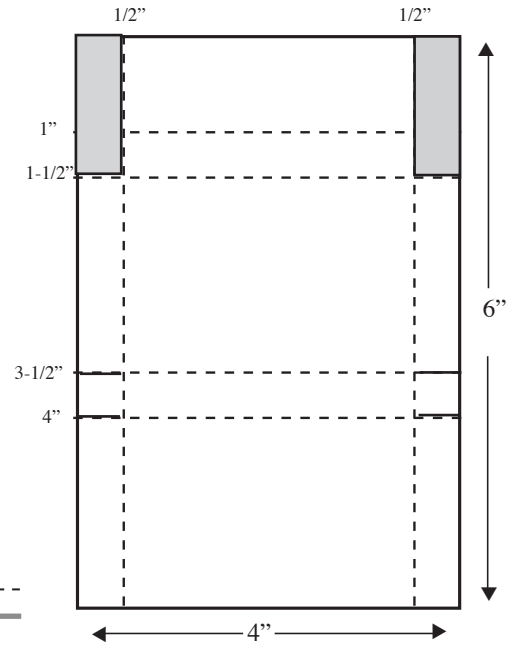


Purse Bag

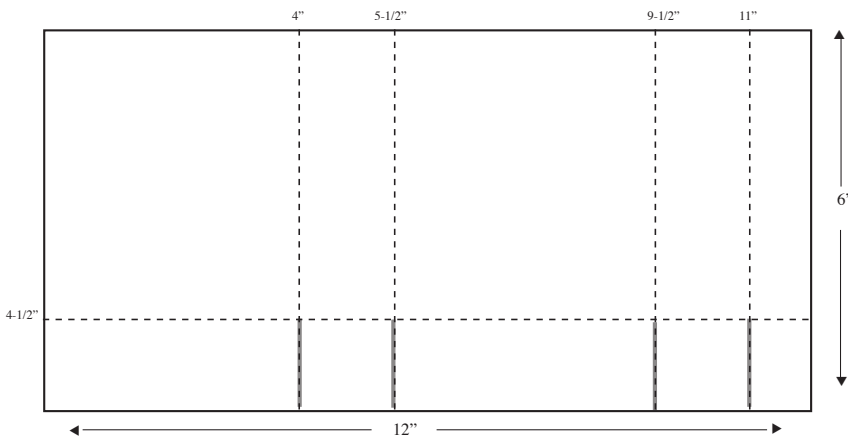


Artwork © Stampin' Up!® 1990-2007

Score -----
Cut —————



Circle Handle Bag



Score -----
Cut —————



Artwork © Stampin' Up!® 1990-2007

Chiaki Haverstick

Independent Stampin' Up! Demonstrator/Manager
(714) 550-9342 e-mail: chiaki@stampingpro.com

visit my websites at: www.chiaki.stampinup.net and www.stampingpro.com